

PHS 系列 殘壓排放三口閥

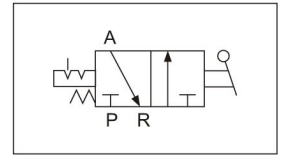
series 3-PORT VALEVE FOR RESIDUAL PRESSURE RELEASE

附屬裝置
Attachment



殘壓排放三口閥
3-port valeve for residual pressure release

Symbol



規格表 Specifications

型式 Type	氣缸口徑 Bore size		有效面積mm ² ()內為Cv值 Effective area(mm ²) ()→Cv	
	IN, OUT	EXH	IN→OUT	OUT→EXH
PHS2000	1/4	1/8	14(0.76)	16(0.87)
PHS3000	3/8	1/4	31(1.68)	29(1.57)
PHS4000	3/4	1/2	77(1.73)	49(2.66)

註：入口側為保護作動順利，請使用空氣過濾器。
Note: Use an air filter on the IN side for operating protection.

訂購代號 Order No.

PHS 3000-03

● 接管口徑 Port size

02	1/4"
03	3/8"
06	3/4"

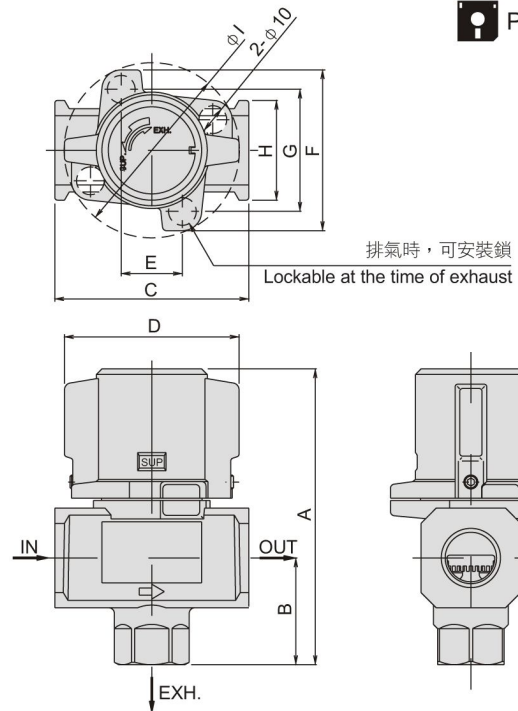
● 型式 Type

2000	for PC2000
3000	for PC3000
4000	for PC4000

● 殘壓排放閥
Residual pressure release

尺寸圖 Dimension

PHS □ 000



Type	A	B	C	D	E	F	G	H	I
PHS2000-02	59	20	40	34	—	45	33	28	45
PHS3000-03	78	29	53	46	—	55	42	30	55
PHS4000-06	110	42	75	67	21	65	50	44	69