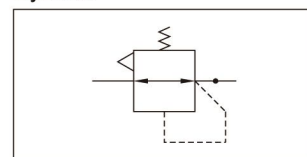


PRP 系列 直動精密調壓閥

series DIRECT OPERATED PRECISION REGULATOR



Symbol



規格表 Specifications

型式 Type	PRP3000-02	PRP3000-03
接管口徑 Port size (G)	1/4"	3/8"
壓力錶接管口徑 Port size for pressure gauge (G)	1/8"	
使用流體 Fluid	空氣 Air	
保證耐壓力 Proof pressure (kgf/cm ²)	12	
最大使用壓力 Max. operating pressure (kgf/cm ²)	8	
調壓範圍 Regulating range (kgf/cm ²)	0.05 ~ 6	
設定感度 Setting sensitivity (kgf/cm ²)	0.01	
空氣消耗量 Air consumption (ℓ/min)	4 ~ 6 (3 kgf/cm ² 設定時)	
環境和介質溫度 Ambient and media temperature (°C)	-5 ~ 60(無凍結狀態)With no freezing	
重量 Weight (kg)	0.4	

選配零件／附屬裝置 Accessory (Optional) / Attachment

名稱 Name		型式 Type	零件型式 Part No.	參考頁數 Reference Page
安裝架 (Bracket)			PRP3000 W423	A-35
壓力錶 Pressure gauge	10 kgf/cm ²	圓形 Round	K40110	A-36
		方形 Square	GK27510	A-36
	4 kgf/cm ²	圓形 Round	K40104	A-36

訂購代號 Order No.

PRP 3000 - 03 K W

- PRP 3000**: 精密調壓閥 Direct operated precision regulator
- 03**: 型式 Type
- 02**: 接管口徑 Port size 1/4"
- 03**: 接管口徑 Port size 3/8"
- K**: 壓力錶 Pressure gauge 圓形 Round
- GK**: 壓力錶 Pressure gauge 方形 Square
- W**: 安裝架 Bracket 附托架 With bracket

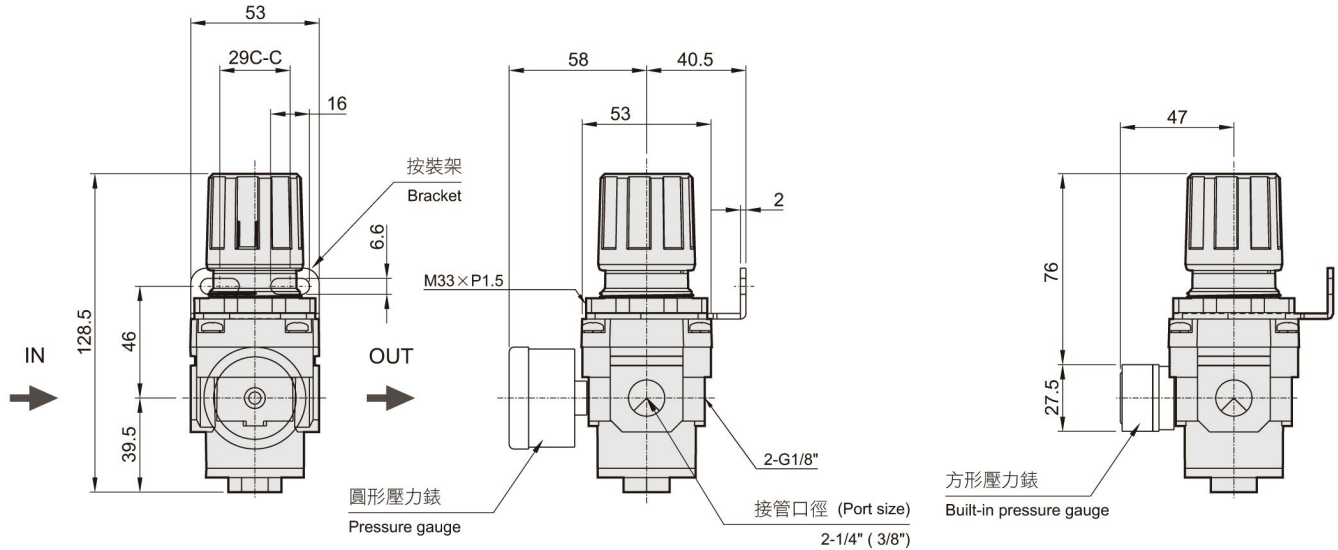
	不附托架 Without bracket
W	附托架 With bracket

	不附錶 Without gauge
K	圓形 Round
GK	方形 Square

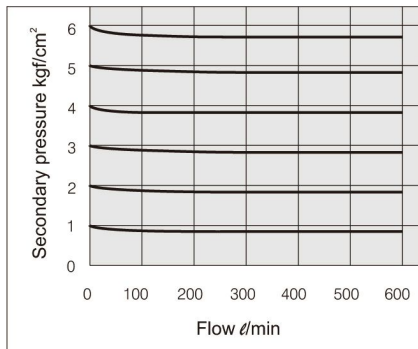
尺寸圖 Dimension

PRP3000-02

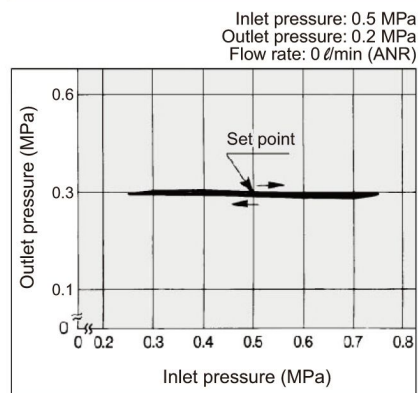
PRP3000-03



流量特性 Flow Characteristics



壓力特性 Pressure Characteristics



使用注意事項 Specific Product Precautions

安裝、調整

警告

- 請確定一次側壓力與二次側之壓力計的表示壓力後，再進行設定。
若旋轉旋鈕過度的話，則會造成內部零件破損。
- 操作調壓旋鈕時，由於使用工具會造成損壞，請採手動方式。

注意

- 壓力調整，須於旋鈕的定位解除後進行，而調整後，請再鎖定。
- 若步驟錯誤的話，則可能導致旋鈕破損與二次側壓力改變。
- 請引出調壓旋鈕時，則定位解除。
(調壓旋鈕下側的『橘色線』，可以目視確認。)
 - 按下調壓旋鈕時，則鎖定。
如果不易鎖定時，請左右旋轉，再按下。(『橘色的線』消失。)



Mounting & Adjustment

Warning

- Set the regulator while verifying the displayed values of the inlet and outlet pressure gauges. Turning the knob excessively can cause damage to the internal parts.
- Do not use tools on the pressure regulator knob as this may cause damage. It must be operated manually.

Caution

- Be sure to unlock the knob before adjusting the pressure and lock it after setting the pressure.
- Failure to follow this procedure can cause damage to the knob and the outlet pressure may fluctuate.
- Pull the pressure regulator knob to unlock.
(You can visually verify this with the "orange mark" that appears in the gap.)
 - Push the pressure regulator knob to lock.
When the knob is not easily locked, turn it left and right a little and then push it (when the knob is locked, the "orange mark", i.e., the gap will disappear).